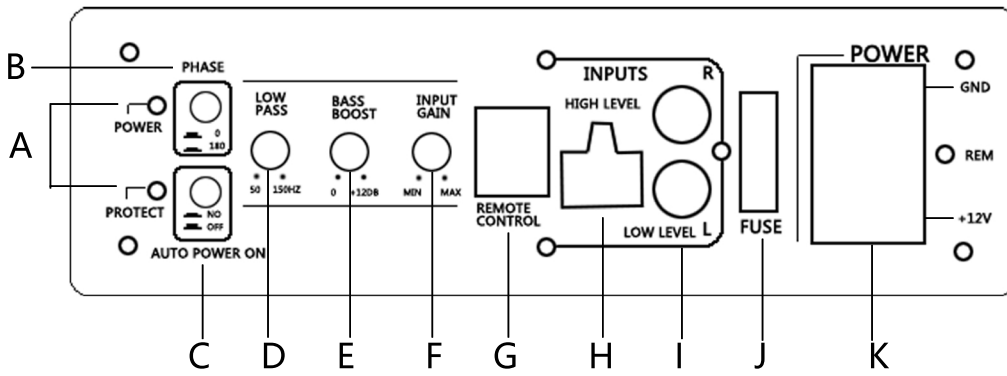


Product model		
Pated Power		600W
THD total harmonic distortion		<0.4%
SNR Signal to Noise Ratio		>90dB
Frequency response		20Hz-150Hz
High frequency input sensitivity		0.9V
LVR Low input sensitivity		300mV
Bass Boost		50Hz-150Hz
HPF High Pass Filter		0 to 12dB
Load		20Hz
Fuse Rating		20A
Actice Bass		8" 10" inch
Dimensions (long and wide)mm		345x260x68
NO	Troubleshooting	Fault cause
1	The amplifier cannot be started	<ol style="list-style-type: none"> <li>1、 Check whether the ground wire of the power amplifier is well connected</li> <li>2、 Check if the positive voltage of the battery is on the positive terminal of the power amplifier</li> <li>3、 Check REMOTE voltage not lower than 5VDC</li> <li>4、 Check that the positive voltage of the power terminal is not lower than +12V</li> <li>5、 Check for damaged fuses</li> <li>6、 Confirm the protection indicator, if the indicator is on, restart the amplifier</li> </ol>
2	The protection indicator light is on after the amplifier starts	<ol style="list-style-type: none"> <li>1、 Check the speaker terminals for a short circuit</li> <li>2、 Turn down the volume potentiometer for overload protection</li> <li>3、 Remove the horn connecting line and restart the amplifier</li> </ol>
3	No output	<ol style="list-style-type: none"> <li>1、 Check for damaged fuses</li> <li>2、 Check that the amplifier is properly grounded</li> <li>3、 Amplifier startup voltage should not be lower than 5VDC</li> <li>4、 Check if the RCA audio cable or high frequency input cable is properly connected to the amplifier</li> <li>5、 Check if the speaker cable is well connected</li> </ol>
4	Low power output	<ol style="list-style-type: none"> <li>1、 Reset the volume potentiometer</li> <li>2、 Check that the filter potentiometer is in the correct position</li> </ol>
5	Low power output	<ol style="list-style-type: none"> <li>1、 Disconnect the signal input line of the power amplifier, if it disappears, there is a problem with the signal source. At this point, it is necessary to confirm whether the signal line is well connected or whether the quality of the signal line is faulty, otherwise the host may have problems</li> <li>2、 Turn the volume potentiometer of the power amplifier as low as possible, and turn up the volume of the host as much as possible (do not distort)</li> </ol>
6	There are whistlers	<ol style="list-style-type: none"> <li>1、 Check if the RCA ground wire is connected</li> </ol>
7	Distention	<ol style="list-style-type: none"> <li>1、 Check whether the size of the power amplifier volume potentiometer is appropriate</li> <li>2、 Check the size of the filter potentiometer</li> </ol>
8	Power amplifier is overheating	<ol style="list-style-type: none"> <li>1、 Check if the speaker impedance is lower than the indicated impedance of the amplifier</li> <li>2、 Check that the installation location of the amplifier is well ventilated</li> </ol>
9	Engine sound	<ol style="list-style-type: none"> <li>1、 The main reason is that the quality of the RCA signal line is too poor. It is necessary to replace the signal line with good quality and keep it away from the power line.</li> </ol>
10	Engine noise	<ol style="list-style-type: none"> <li>1、 Check RCA signal line is not connected to the chassis</li> <li>2、 Check that the host is properly grounded</li> </ol>

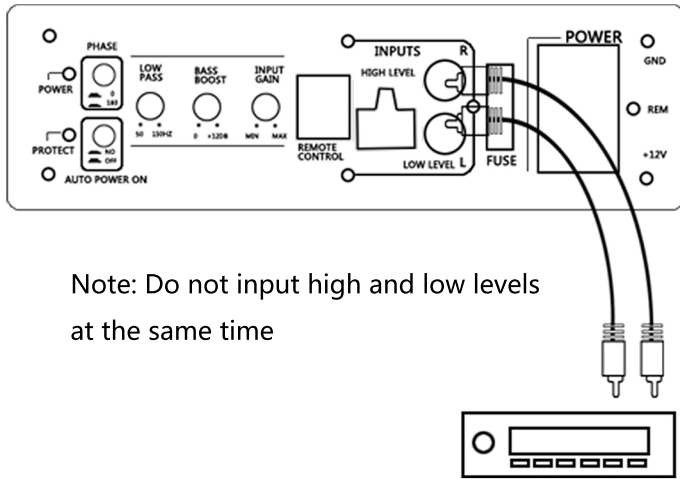


A. Power and protection indicator  
 B. Phase transfer switch  
 C. When the high level (H) is input, when the REM is not connected (way two), it acts as the power control switch ON/OFF to activate the subwoofer.

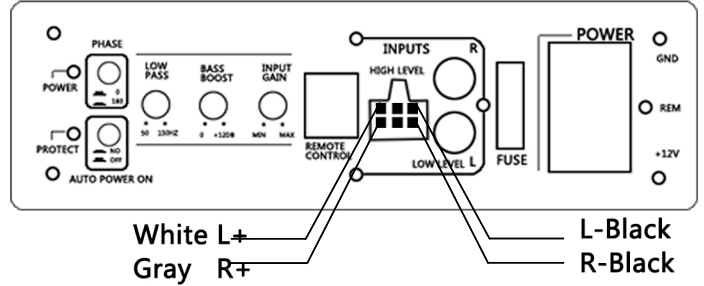
E. Bass potentiometer  
 F. Volume potentiometer  
 G. Remote Bass volume control port  
 H. High level input port  
 I. Low level input port  
 J. Fuse socket  
 K. Power Input Terminal

D. Bass filter potentiometer  
 Note: The actual frequency of the low-pass filter may be higher or lower than the set value, with an error of -20% to + 20% .

### Low level input connection

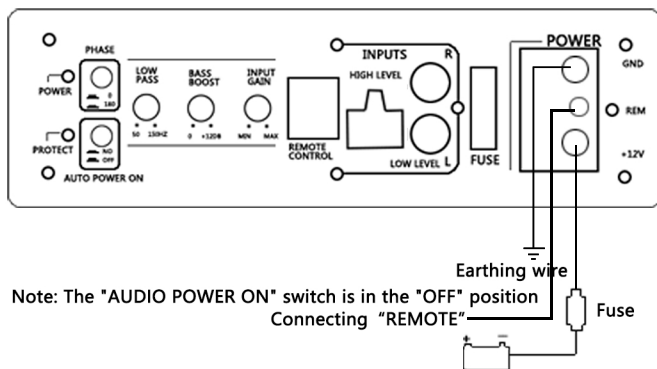


### High level input connection

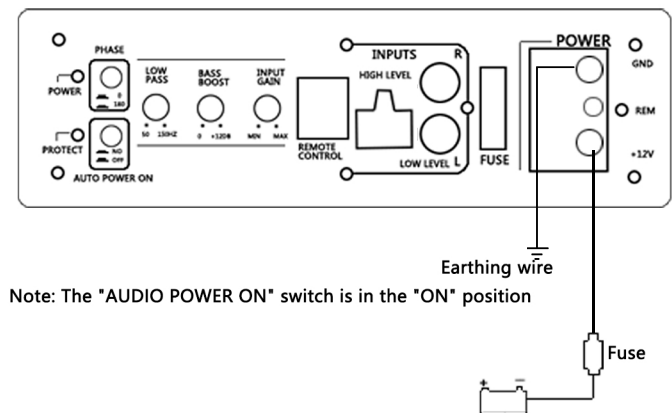


### Power input connection

Way One:



Way Two:



### Remote level control connection

